

SmartBright Flood BVP161

Reliable Savings, lasting brightness

Ajay K R
Product Management – Outdoor
Professional Lighting



SmartBright LED Flood

Reliable Savings, lasting brightness
High performance in a robust and compact design



Unique Selling Points:

- **Reliable Savings** : Up to 90% energy saving, compared with Philips Halolite QVF type Halogen lamps
- **Lasting Brightness** : Best LED's with high system efficacy of 85lm/w
- **Robust**: 4KV Surge protection, IP65, IK07, 30k hours @Ta 35° C
- **High Performance Compact design** : Evenly distributed LED's for effective heat transmission*

Features and benefits

Use with peace of mind

- 4KV Surge Protection
- IK07 classification
- IP65 certified
- Overheating protection function

Long-lasting performance

- Designed for energy savings of up to 90% compared with conventional lighting
- L70 30k hours*
- Designed for operations under diverse environment from -40°C to 45°C

**Designed to sustain 70% of initial lumen output (L70) at 30,000 hours of lifetime*

High-quality materials and design

- Toughened and shatter-proof quality lens enhances safety
- Pressure die-cast housing offers excellent corrosion-resistance and robustness

Wide selection

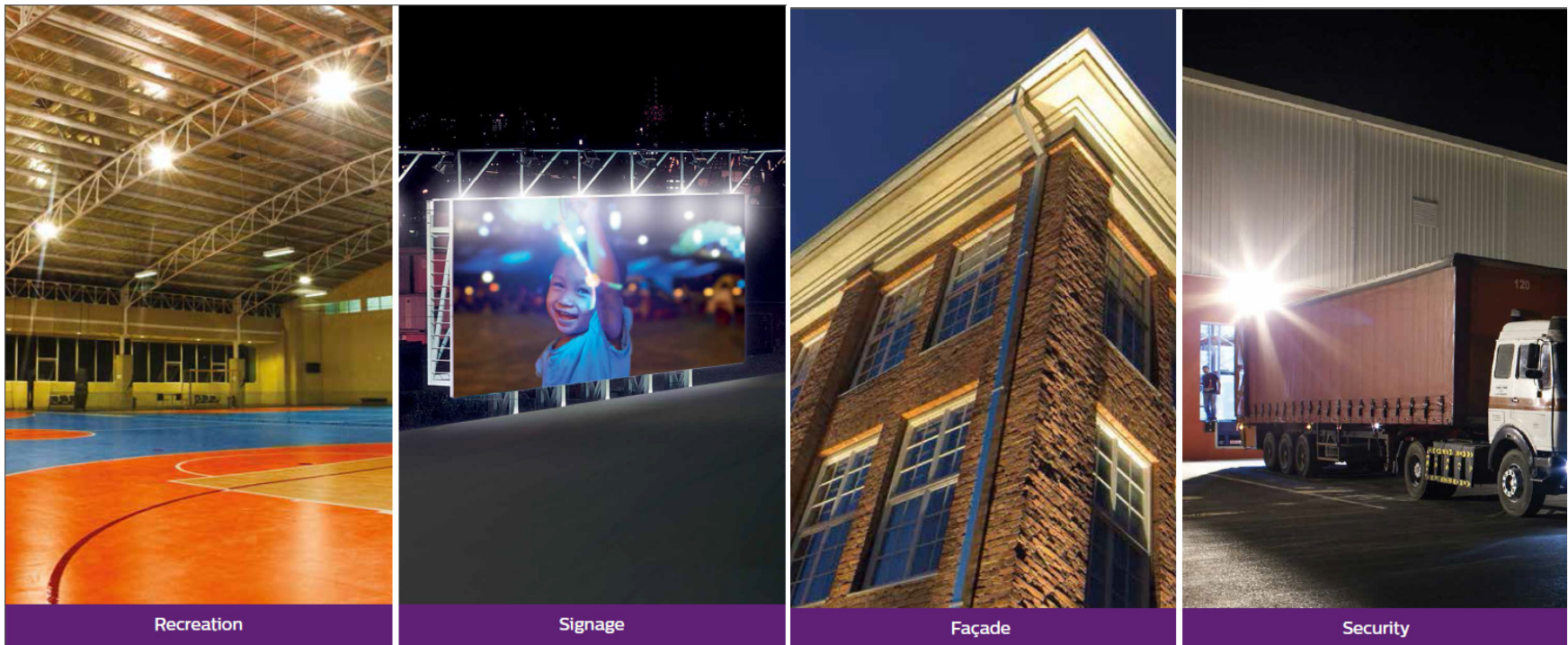
- Multiple choice of color temperature – Warm white (3000k), Neutral (4000k) and Cool white (5700k)
- Multiple choice of lumen packages

Reliable Savings, lasting brightness

High performance in a robust and compact design



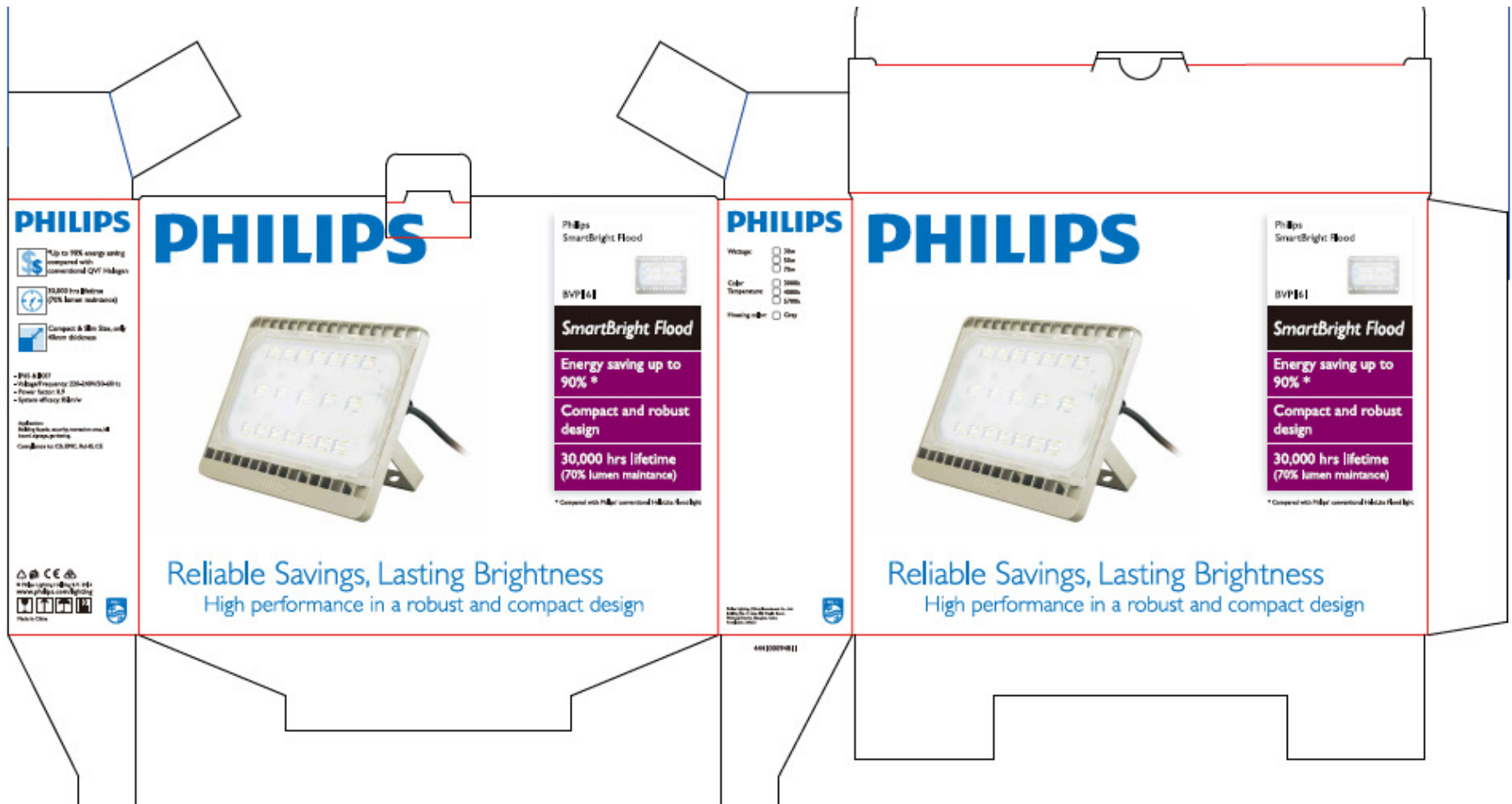
Application



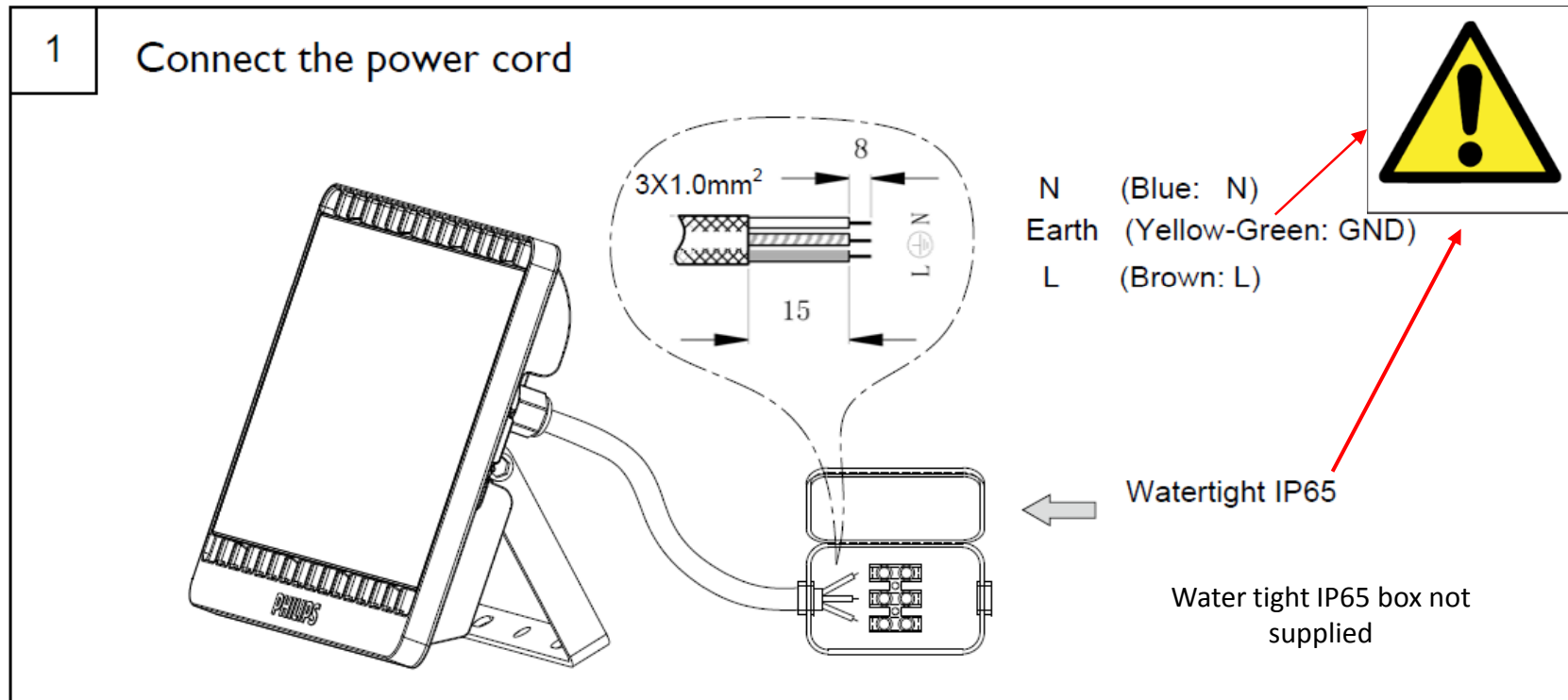
Other applications : garden, footpath, car park...

Reliable Savings, lasting brightness
High performance in a robust and compact design

Package in full colour with USP's



Mounting Instruction :

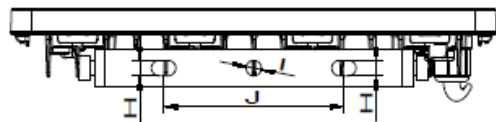
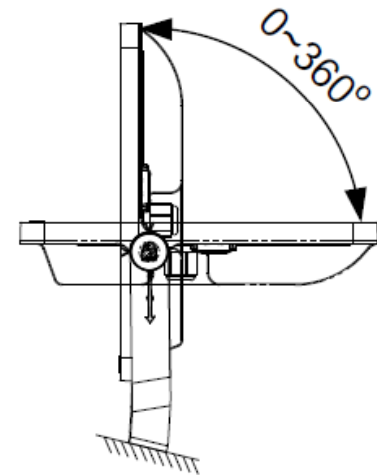
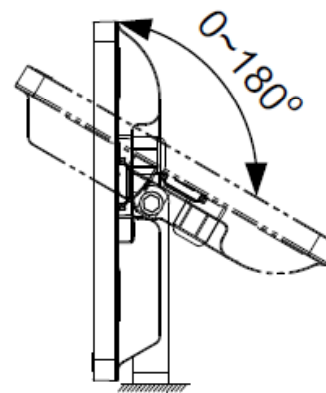
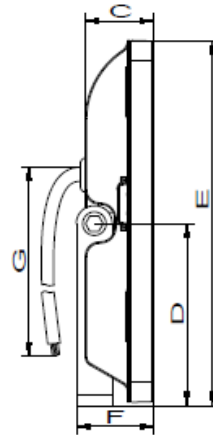
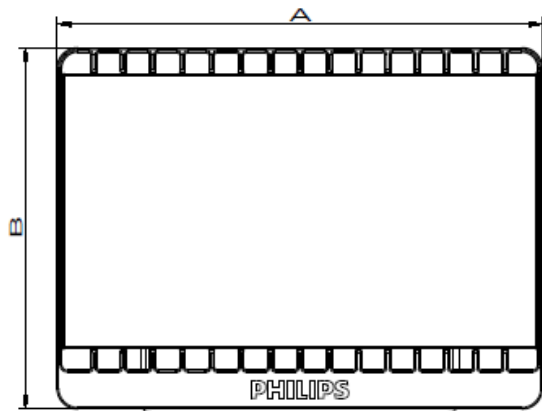


Dimensions

Type	A (mm)	B (mm)	C (mm)	D (mm)	E (mm)	F (mm)	G (mm)	H (mm)	I (mm)	J (mm)	Windage area (m ²)
30W	193.2	142.5	33.8	75	153.5	38	300 or 600	8.5	8.5	70	0.027
50W	269.5	201.5	37.8	101	203.5	43	300 or 600	8.5	8.5	100	0.054
70W	315.5	233.5	41	131.5	279	350	300 or 600	8.5	8.5	170	0.075

30W and 50W Mounting angles

70W Mounting angle



Ordering information

Ordering code, 12NC	Product Description	MoQ	Packing box dimension (mm)	Gross Wt (Kg)	Net wt (Kg)	Outbox dimension (mm)	Outerbox GrossWt (Kg)
911401619503	BVP161 LED55/WW 70W 220-240V WB GREY IN	6	370 x 285 x 75	2.35	2.00	450 x 390 x 310	14.10
911401619603	BVP161 LED26/NW 30W 220-240V WB GREY IN	16	205 x 155 x 68	0.70	0.60	410 x 280 x 310	11.60
911401619703	BVP161 LED43/NW 50W 220-240V WB GREY IN	8	280x 215 x 70	1.35	1.20	540 x 280 x 320	11.30
911401619803	BVP161 LED60/NW 70W 220-240V WB GREY IN	6	370 x 285 x 75	2.35	2.00	450 x 390 x 310	14.10
911401619903	BVP161 LED26/CW 30W 220-240V WB GREY IN	16	205 x 155 x 68	0.70	0.60	410 x 280 x 310	11.60
911401620003	BVP161 LED60/CW 70W 220-240V WB GREY IN	6	205 x 155 x 68	0.70	0.60	410 x 280 x 310	11.60
911401620103	BVP161 LED43/CW 50W 220-240V WB GREY IN	8	280x 215 x 70	1.35	1.20	540 x 280 x 320	11.30
911401620203	BVP161 LED23/WW 30W 220-240V WB GREY IN	16	205 x 155 x 68	0.70	0.60	410 x 280 x 310	11.60
911401620303	BVP161 LED39/WW 50W 220-240V WB GREY IN	8	280x 215 x 70	1.35	1.20	540 x 280 x 320	11.30

Detailed Specification

Model name	BVP161		
Product hierarchy	A49 644505	A49 644505	A42 644505
Power	30W	50W	70W
Lumen output	2300lm(WW), 2600lm (NW, CW)	3900lm(WW), 4300lm (NW, CW)	5500lm(WW), 6000lm (NW, CW)
CCT	3000K/4000K/5700K		
CRI	70		
System Efficacy	85lm/w		
Insulation classification	Class I		
Connection	300mm flying wire		
Volt/Frequency	220-240V/50-60Hz		
Power factor	0.9		
IP rating	IP65		
IK rating	IK07		
Surge protection	4KV		
Lifetime	30,000 hrs @Ta 35°C		
Ambient Temp	-40~45°C		
Dimension	193.2 x 142.2 x 40.9mm	269.4 x 201.2 x 40.4mm	315.4 x 232.9 x 40.9mm
Casing colour	Grey		
Certificate	CE		

Note : All are nominal values at Nominal operating voltage 220 -240V and will vary +/-10%

